



LR4-60HTB (Full Black)

370~390M



25-years Warranty for
Material and Processing



25-years Warranty for
Extra Linear Power Output

- Sleek and aesthetic design matching roof appearance
- Outstanding energy yield over full life time
- Super high efficient power density suitable for less roof space
- Zero bus bar design for maximum light capturing and low reflections
 - M6 size Half-Cut Cell
 - ZBB Tech.
 - 100% active area
- High-end product quality for long life time

Complete System and Product Certifications

IEC 61215, IEC 61730

ISO 9001:2015: ISO Quality Management System

ISO 14001:2015: ISO Environment Management System

TS62941: Guideline for module design qualification and type approval

ISO 45001:2018: Occupational Health and Safety

LONGI



22.2%
MAX. MODULE
EFFICIENCY

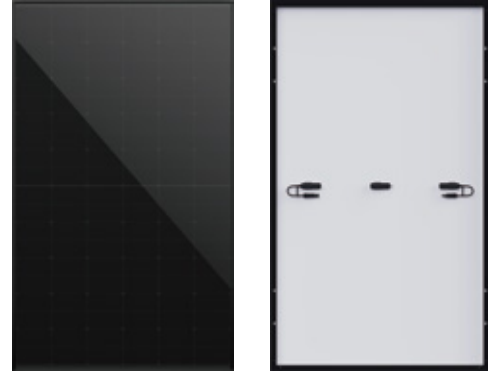
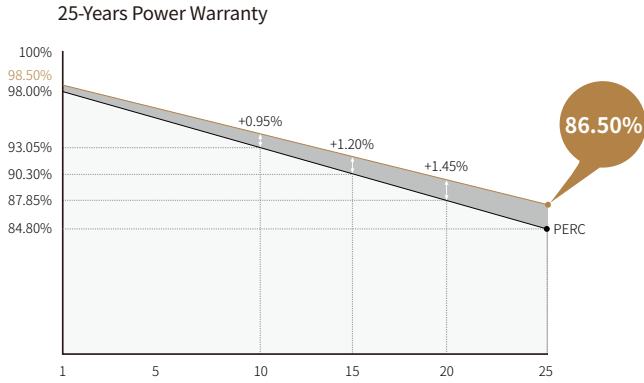
0~3%
POWER
TOLERANCE

<1.5%
MAX. FIRST YEAR
POWER DEGRADATION

<0.50%
YEAR 2-25 MAX. ANNUAL
POWER DEGRADATION

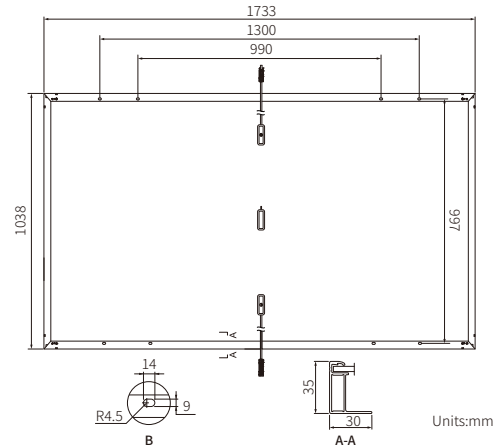
ZBB Tech.
ZERO BUSBAR DESIGN
MAX. LIGHT CAPTURING

Additional Value



Mechanical Parameters

Cell Orientation	120(6×20)
Junction Box	IP68, three diodes
Connector	Stäubli MC4-Evo 2
Output Cable	4mm ² , 1200mm
Glass	Single glass, 3.2mm AR coated heat strengthened glass
Frame	Anodized aluminum alloy frame
Weight	19.0kg
Dimension	1733×1038×35mm
Packaging	30pcs per pallet/180pcs per 20' GP/780pcs per 40' HC



Electrical Characteristics

STC: AM1.5 1000W/m² 25°C NOCT: AM1.5 800W/m² 20°C 1m/s Test uncertainty for P_{max}: ±3%

Module Type	LR4-60HTB-370M		LR4-60HTB-375M		LR4-60HTB-380M		LR4-60HTB-385M		LR4-60HTB-390M	
	STC	NOCT	STC	NOCT	STC	NOCT	STC	NOCT	STC	NOCT
Testing Condition	STC	NOCT	STC	NOCT	STC	NOCT	STC	NOCT	STC	NOCT
Maximum Power (P _{max} /W)	370	280	375	284	380	288	385	292	390	296
Open Circuit Voltage (V _{oc} /V)	42.3	40.1	42.5	40.3	42.7	40.5	42.9	40.7	43.1	40.9
Short Circuit Current (I _{sc} /A)	11.07	8.96	11.14	9.02	11.21	9.08	11.28	9.13	11.35	9.19
Voltage at Maximum Power (V _{mp} /V)	35.1	32.0	35.3	32.2	35.5	32.4	35.7	32.6	36.0	32.8
Current at Maximum Power (I _{mp} /A)	10.54	8.75	10.62	8.82	10.70	8.88	10.78	8.95	10.86	9.02
Module Efficiency (%)	20.6		20.8		21.1		21.4		21.7	

Operating Parameters

Operating Temperature	-40°C ~ +85°C
Power Output Tolerance	0 ~ 3%
V _{oc} and I _{sc} Tolerance	±3%
Maximum System Voltage	DC1500V (IEC)
Maximum Series Fuse Rating	20A
Nominal Operating Cell Temperature	45±2°C
Protection Class	Class II
Fire Rating	Class C

Mechanical Loading

Front Side Maximum Static Loading	5400Pa
Rear Side Maximum Static Loading	3600Pa
Hailstone Test	25mm Hailstone at the speed of 23m/s

Temperature Ratings (STC)

Temperature Coefficient of I _{sc}	+0.060%/°C
Temperature Coefficient of V _{oc}	-0.240%/°C
Temperature Coefficient of P _{max}	-0.290%/°C